



MARCOPOLO
World School

Have a look at how
the brrrrrrrilliant
snowmobile works in
ice cold conditions!

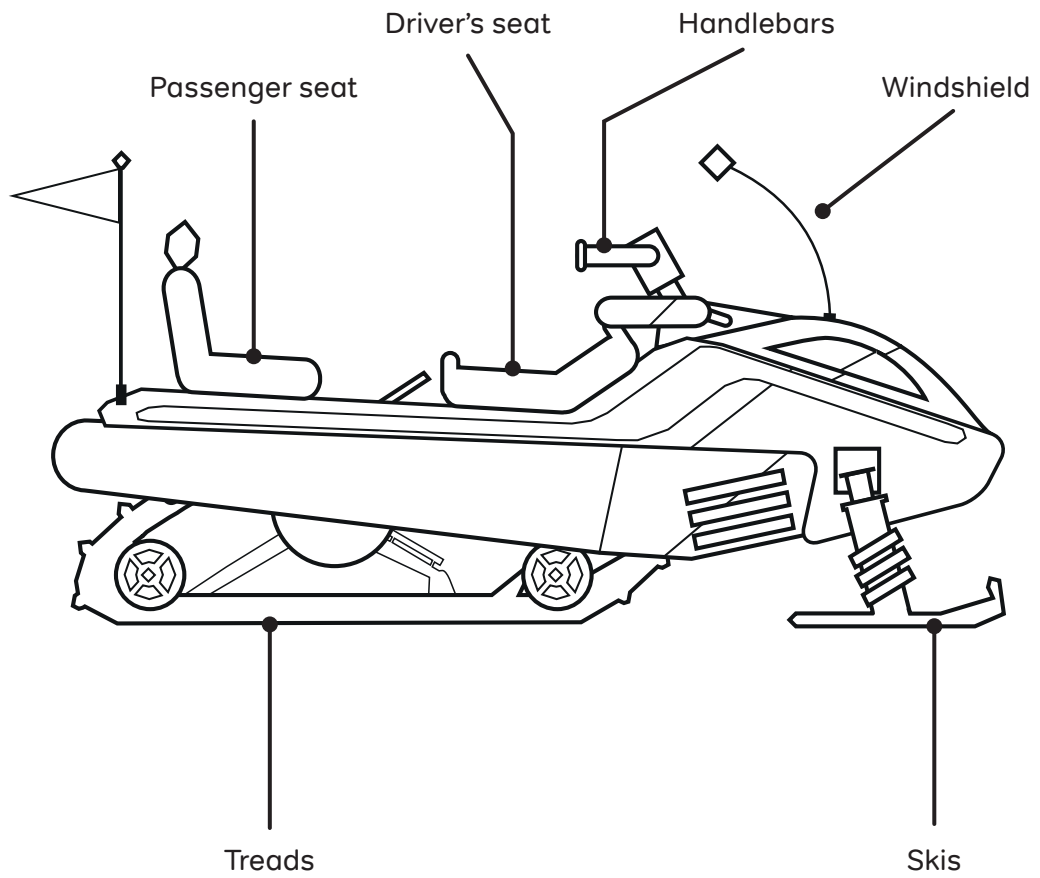


Snowmobile

Owner's Workshop Manual

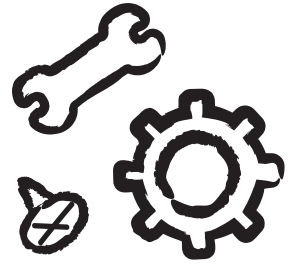
- A snowmobile is a motorized vehicle that moves across snow and ice
- Deep treads in the back keep it steady in slippery conditions
- Skis in the front help with steering
- Handlebars are warmed so controls don't freeze
- A windshield protects the driver from flying ice and snow

Snowmobile Information



Use your favorite colors to decorate the snowmobile!

Snowmobile Design Challenge



A snowmobile can be driven on ice and snow.

What you need to do...

Design a pair of skis by attaching a material such as craft sticks to a toy vehicle. Make a frozen block of ice by freezing water inside a long rectangular tupperware and test out your snowmobile!

Try creating different skis in a variety of materials and see which one helps the vehicle glide across the ice the smoothest.

Record your findings on the next page...



Things to think about:

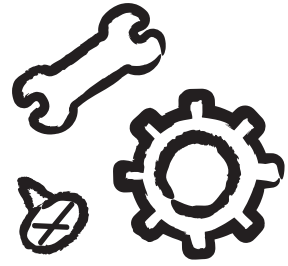


How do the skis help to steer the vehicle?



What else could the skis be useful for?

Snowmobile Design Challenge



TEST ONE

- Ski material:
- Able to glide on the ice?
- Ice glide rating:

/10

TEST TWO

- Ski material:
- Able to glide on the ice?
- Ice glide rating:

/10

TEST THREE

- Ski material:
- Able to glide on the ice?
- Ice glide rating:

/10