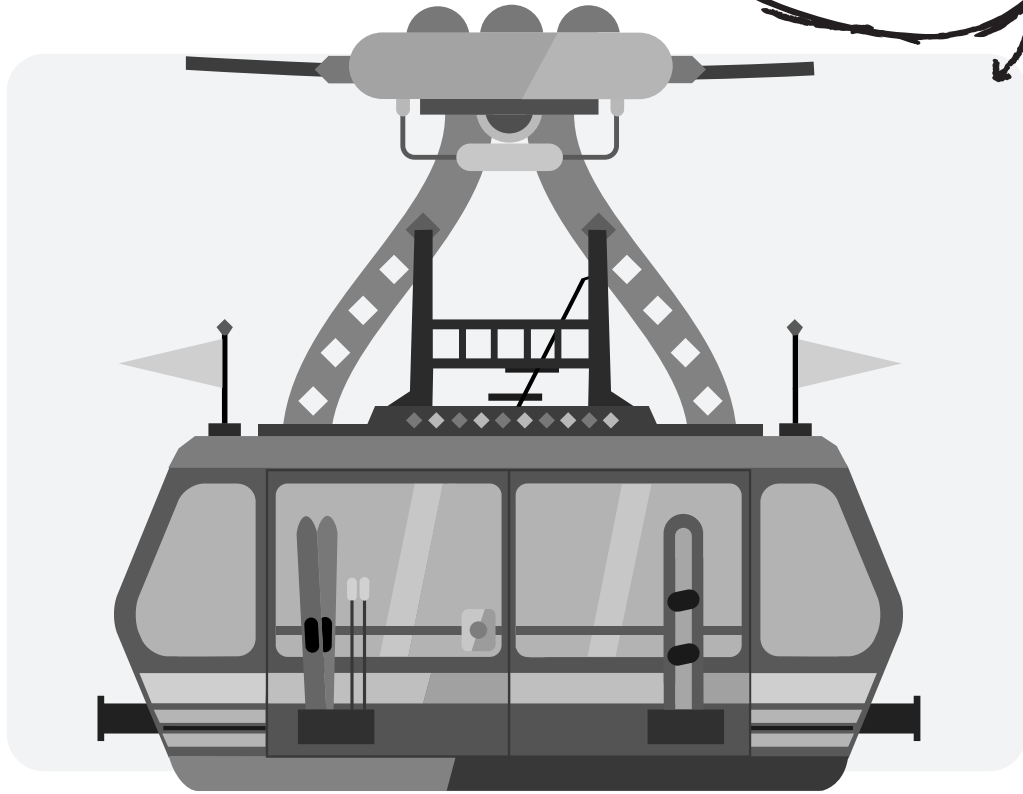




**MARCOPOLO**  
World School

Up the mountain  
we go!



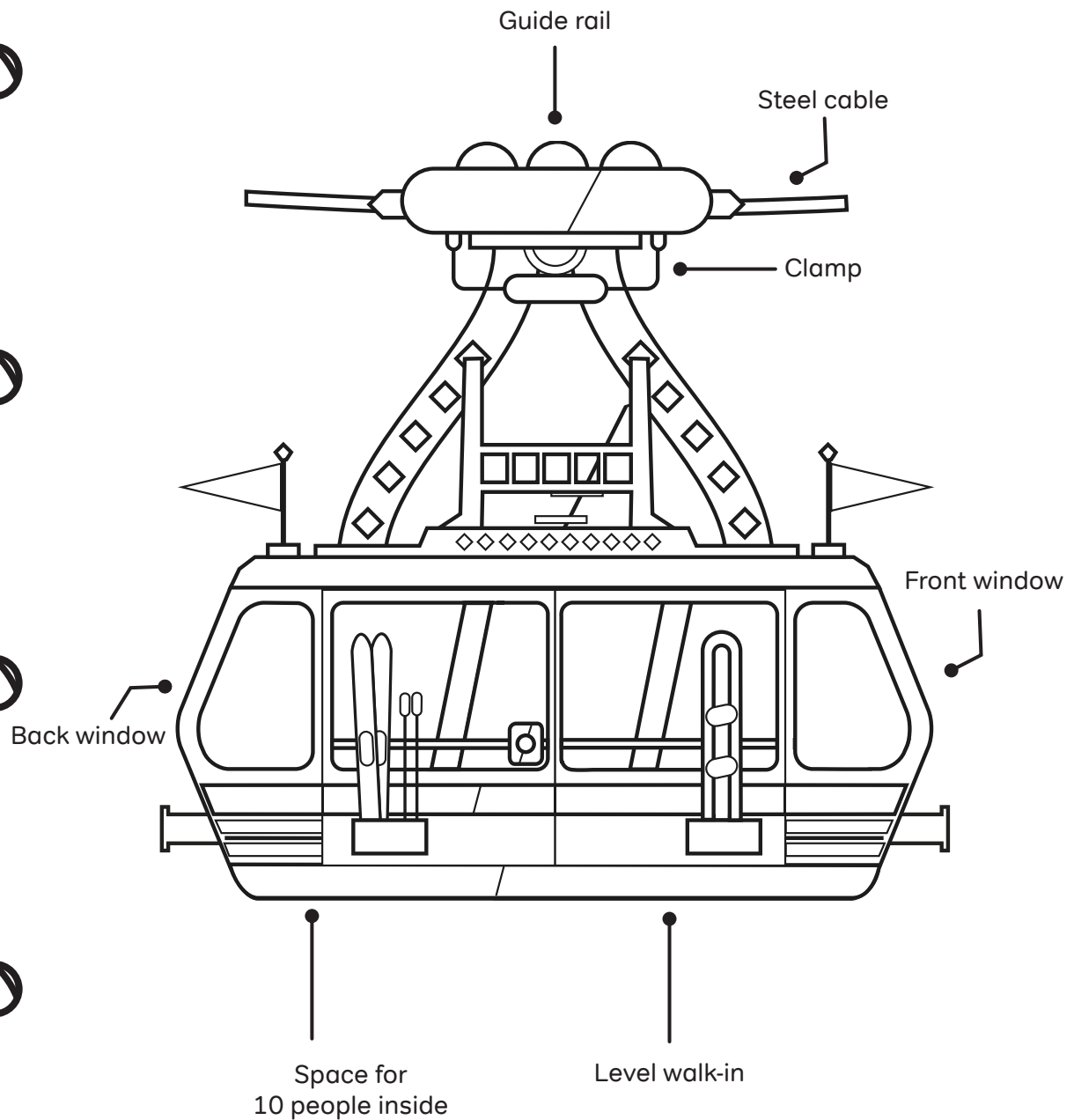
# Ski Lift

## Owner's Workshop Manual

- A ski lift is conveyor with a moving cable overhead
- The ski rack has storage for snow equipment
- Steel ropes are connected to the cable to keep it safe when windy
- Sliding doors open and close to let passengers in and out
- Skiers wear helmets for protection

# Ski Lift Information

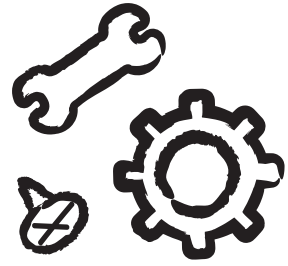
---



Use your favorite colors to decorate the ski lift!

# Ski Lift Design Challenge

---



A ski lift transports skiers up a hill..

*What you need to do...*

Take a toy for a ride! Design a pulley to transport a small toy figure from the floor to a door knob.



*Things to think about:*



What materials can you use for the platform or seat? What about the cable?



How can you make your pulley strong enough to hold the load, and safe enough that your toy stays on?



How will the pulley move?

# Ski Lift Design Challenge

---

