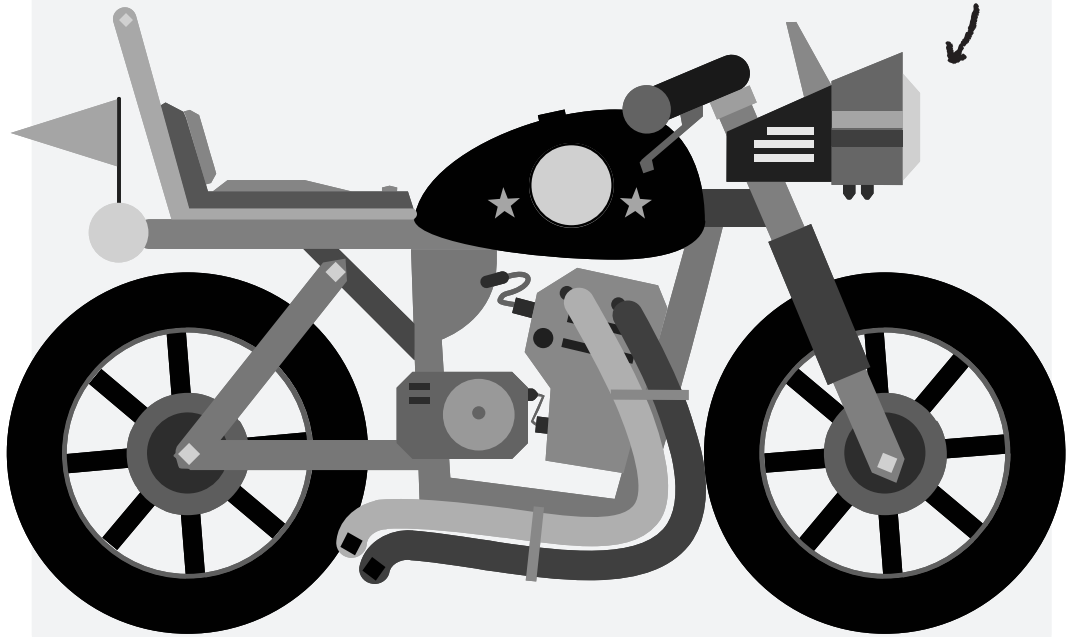




**MARCOPOLO**  
World School

vroooooom!  
What a difference  
a motor makes!



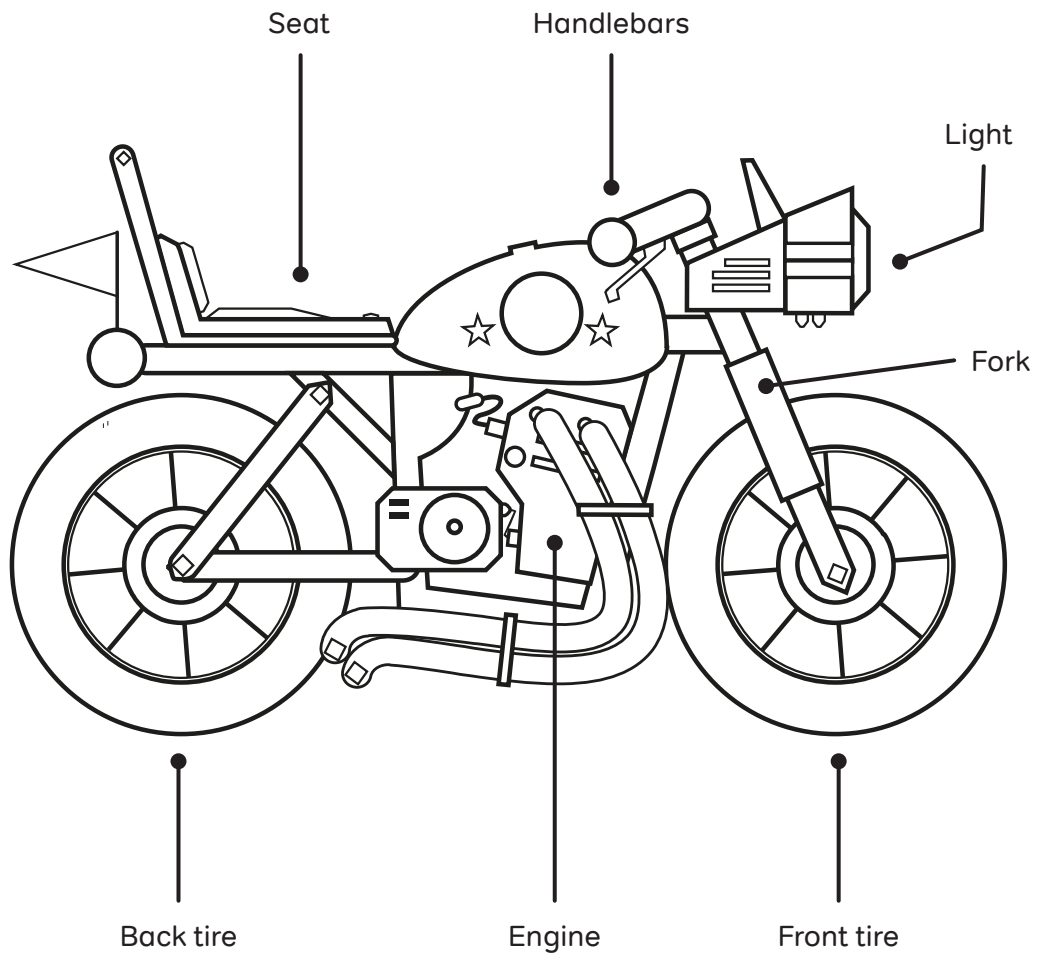
# Motorcycle

## Owner's Workshop Manual

- Kick the starter on a motorcycle for power to flow from the battery to the motor
- The fork connects the front wheel and axle to the frame of the motorcycle
- Motorcycles often need to stop fast, so a foot pedal operates the back brake
- Many motorcycles are powered by fuel, but some are electric

# Motorcycle Information

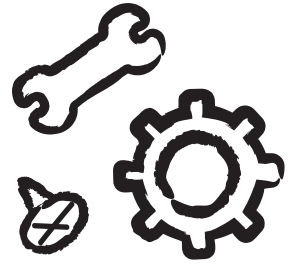
---



Use your favorite colors to decorate the motorcycle!

# Motorcycle Design Challenge

---

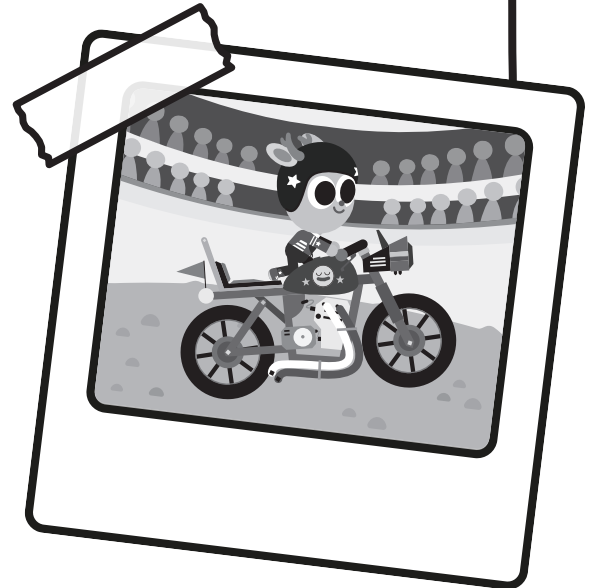


**A motorcycle is like a bicycle with an engine.**

**What you need to do...**

A pencil with an engine?! Can you design something that doesn't usually have an engine and add one? How would it work? Why would this design be helpful?

Draw your design on the next page...



**Things to think about:**



What kind of object would you add an engine to?



What will you use for wheels?



How will your vehicle turn?

# Motorcycle Design Challenge

---

